

**Series 8, Electric range cooker,  
Stainless steel  
HCB738357M**



**Included accessories**

- 1 x enamel baking tray
- 1 x rotary spit
- 1 x grid
- 1 x telescopic rack

**The electric Range Cooker with up to 8 heating modes and glass-ceramic hob: makes cooking and cleaning especially easy for you.**

- Full Glass Door supports quick and easy cleaning by removable inner
- 
- glass of the door.
- Full Catalytic cleans itself on side and rear surfaces thanks to
- 
- catalytic panels while cooking with ease and pleasure.

**Technical Data**

Built-in / Free-standing : Free-standing

Color / Material Front : Stainless steel

Dimensions : 846-880 x 898 x 600 mm

Length electrical supply cord : 150 cm

Net weight : 70.2 kg

Gross weight : 79.3 kg

Cooking method : , Circulating air, Full width grill, Hot air & bottom heat, hot air grilling, Hot Air Standard, Rotisserie, Top/ bottom heat

Integrated Cleaning system : No

Included accessories : 1 x enamel baking tray, 1 x rotary spit, 1 x grid, 1 x telescopic rack

Broil Element Wattages cavity 1 : 2900 W

Convection Element Wattages cavity 1 : 3100 W

Energy efficiency rating : B

Energy consumption per cycle conventional (2010/30/EC) : 1.16 kWh/cycle

Energy consumption per cycle forced air convection (2010/30/EC) : 1.35 kWh/cycle

Fuse protection : 63 A

Voltage : 220-240 V

Frequency : 60; 50 Hz

Plug type : fixed connection, no plug

Connecting cable type : 1-phase, 3 wire

Color / Material Front : Stainless steel

Energy input : Electric

Approval certificates : G-Mark

Gross weight : 175.000 lbs

Length electrical supply cord : 150 cm

Dimensions : 846-880 x 898 x 600 mm

Dimensions of the packed product (HxWxD) : 855 x 680 x 960 mm



4 242002 932743

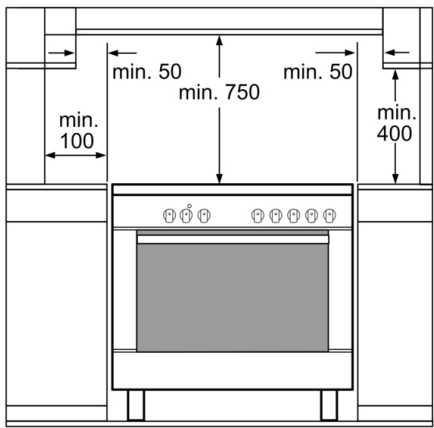
## **Series 8, Electric range cooker, Stainless steel HCB738357M**

**The electric Range Cooker with up to 8 heating modes and glass-ceramic hob: makes cooking and cleaning especially easy for you.**

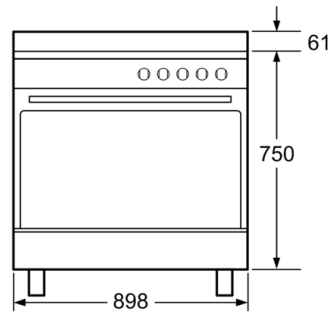
---

- Glass ceramic hob
- 5 HighSpeed cooking zones including 1 dual circuit zone and 1 extendable oval zone
- Front left: Standard zone 1.2 KW
- Rear left: Standard zone 1.8 KW
- Center: Oval zone 0.75 KW, 1.4 KW, 2.2 KW
- Rear right: Dual-circuit cooking zone 0.75 KW, 2.2 KW
- Front right: Standard zone 1.2 KW
- 5 stage residual heat indicator
- Splash guard
- Extra large capacity oven (112 l) with grey enamel
- Multifunction oven
- 8 cooking functions: Full width grill, Hot Air Standard, Top/bottom heat, hot air grilling, Circulating Air, Rotisserie, Conventional heat ECO, Bottom heat & circulating air
- Rotary spit
- Catalytic back and side liners
- Shelf support rails
- telesc. extension rails 1-fold
- Oven interior light
- Electronic clock
- Adjustable feet

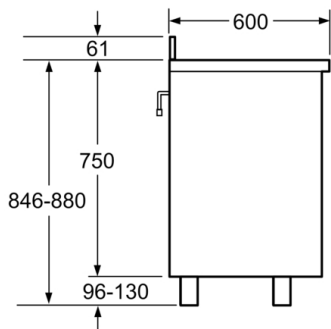
**Series 8, Electric range cooker, Stainless steel**  
**HCB738357M**



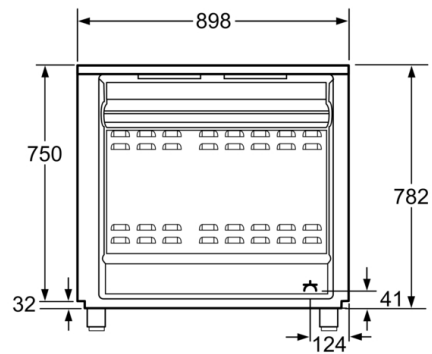
measurements in mm



measurements in mm



measurements in mm



measurements in mm