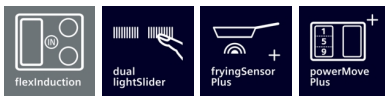
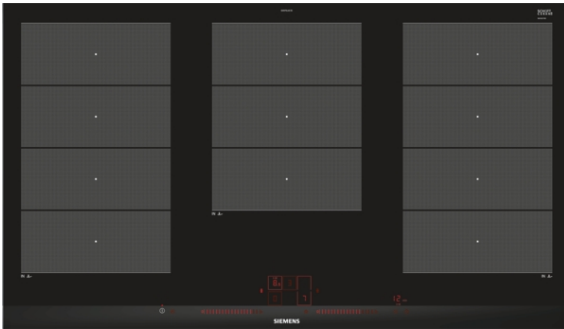




iQ700, induction hob, 90 cm, Black EX975LXC1E



- ✓ Flexible cooking without predefined cooking zones – flexInduction.
- ✓ Dual lightSlider lets you easily and intuitively operate the cooktop.
- ✓ The fryingSensor plus controls the temperature in the pan so can never burn again.
- ✓ powerMove Plus enables intuitive control thanks to three heating zones with different temperatures – activated by touch.
- ✓ Shorter heating times with up to 50% more power thanks to the powerBoost-function.

Features

Technical Data

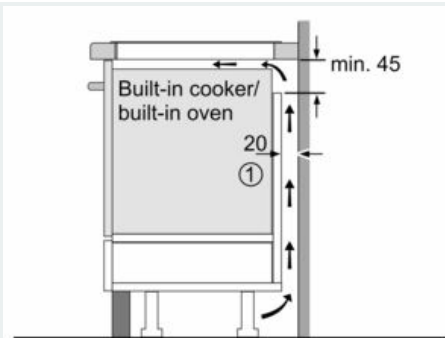
Product name/family : Cooking zone ceramic
 Construction type : Built-in
 Energy input : Electric
 Total number of positions that can be used at the same time : 5
 Required niche size for installation (HxWxD) : 51 x 880-880 x 490-500 mm
 Width of the appliance : 912 mm
 Dimensions : 51 x 912 x 520 mm
 Dimensions of the packed product (HxWxD) : 126 x 1073 x 603 mm
 Net weight : 22.1 kg
 Gross weight : 24.0 kg
 Residual heat indicator : Separate
 Location of control panel : Hob front
 Basic surface material : Ceramic
 Color of surface : Black
 Approval certificates : AENOR, CE
 Length electrical supply cord : 110 cm
 Sealed Burners : No
 heating with booster : All
 Power of 2nd heating element (kW) : 3.3 kW
 Power of heating element (kW in boost) : [3.7] kW : 3.7 kW
 Power of 6th heating element (kW in boost) : 3.7 kW
 Connection Rating : 11100 W
 Voltage : 220-240 V
 Frequency : 50; 60 Hz
 Main colour of product : Black
 Energy input : Electric
 Approval certificates : AENOR, CE
 Plug type : no plug
 Appliance Dimensions (h x w x d) (in) : + x x
 Dimensions of the packed product : 4.96 x 23.74 x 42.26
 Net weight : 49.000 lbs
 Gross weight : 53.000 lbs
 Total number of positions that can be used at the same time : 5
 Length electrical supply cord : 110 cm
 Required niche size for installation (HxWxD) : 51 x 880-880 x 490-500 mm
 Dimensions : 51 x 912 x 520 mm
 Dimensions of the packed product (HxWxD) : 126 x 1073 x 603 mm
 Net weight : 22.1 kg
 Gross weight : 24.0 kg





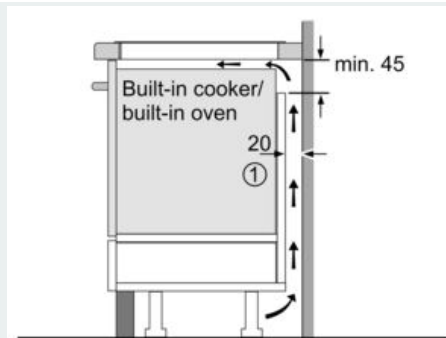
iQ700, induction hob, 90 cm, Black EX975LXC1E

Dimensioned drawings



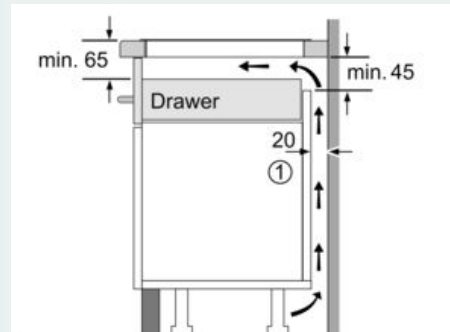
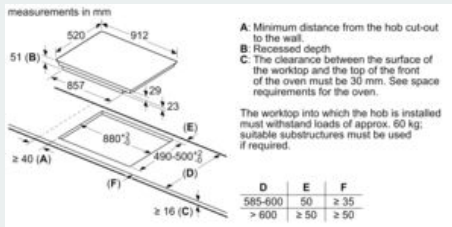
①
Ventilation gap must
be present

All measurements in mm



①
Ventilation gap must
be present

All measurements in mm



①
Ventilation gap must
be present.

Measurements in mm

